



LF LOG FORKS AND GRAPPLES

**VISIBILITY PLUS FEATURES
EVERY LOG YARD NEEDS**

LF LOG FORKS GET THE JOB DONE

Visibility, reliability and capacity—three important factors that combine to guarantee efficient log handling. Rockland LF Log Forks combine all three to deliver years of productive log handling. Here are the reasons a new LF Log Fork will complement the performance of your loader:

VISIBILITY - Smart operators know they can move more wood every shift if they can see what they are doing. Rockland LF Log Forks are designed for maximum visibility—the tine tips can be seen at ground level because of the low-profile frame. In addition, when the LF is equipped with a hydraulic clamp, the clamp supports and cylinders are located out of the operator's line of sight so they can see what they are doing—not watching the cylinders work while guessing where the tines are!

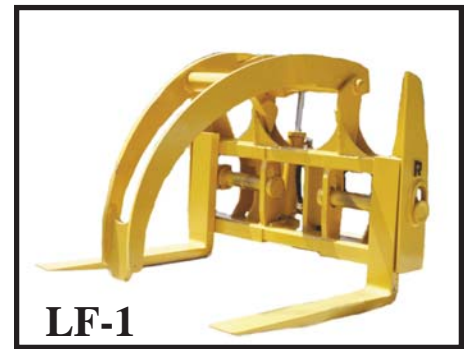
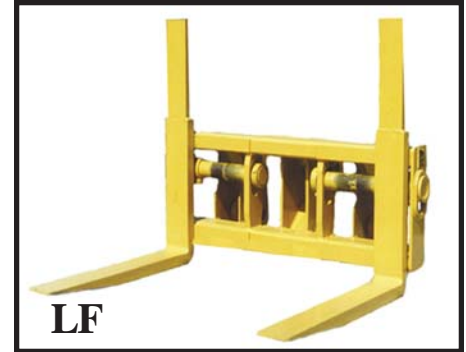
RELIABILITY— Rockland has been building log forks for over 30 years. These units reflect our years of experience and dedication to quality. They are truly designed to perform and built to last.

The high visibility open frames are manufactured from rugged, high-strength, rectangular alloy steel tubing. The heat-treated steel tines are forged from solid, high strength alloy plate. Rockland doesn't use cheap tines cut from plate and welded together at the heel. Never have. Never will.

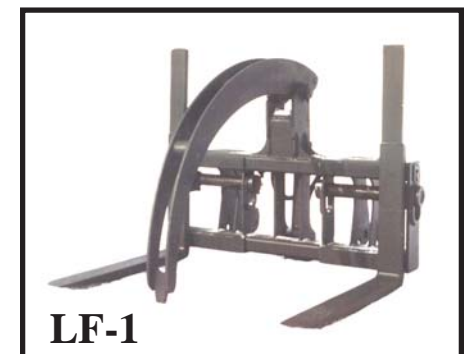
Rockland hydraulics are first class. We use high pressure fittings and hose. There are cheaper fittings. Some people use them. We don't! Hydraulic cylinders are at the heart of any fork equipped with a clamp. Rockland cylinders feature oversize pins, induction hardened, heat treated, chrome-plated rods, and high temperature long life O-rings and seals. All this can be summed up in one word. Quality. We build our products to last and that's why knowledgeable yard operators have been specifying Rockland LF Log Forks for years!

FEATURES AND OPTIONS— LF Log Forks have the features every log yard needs. All LF's are equipped with adjustable floating tines that help compensate for uneven ground. Tine spacing is infinitely adjustable so you can set them to suit your operation. If you prefer fixed, non-floating adjustable tines, order the float-lock option. If your operation demands a clamp for positive load control, choose either the LF-1 or LF-W. The LF-1 has a single clamp that provides positive load control with minimum weight and cost. LF-1's are available for both center bell crank and conventional boom arms. The LF-W has a wide dual cylinder clamp for maximum load control.

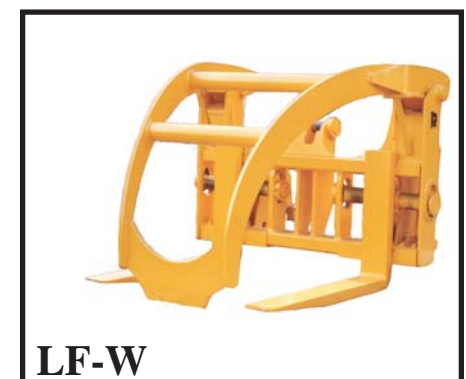
Yes, Rockland LF Log Forks are truly designed to perform and built to last. For maximum productivity and years of dependable service, equip your loader with a Rockland LF Log Fork.



For center bell crank machines



For conventional boom arms



LOG FORKS AND GRAPPLES SPECIFICATIONS

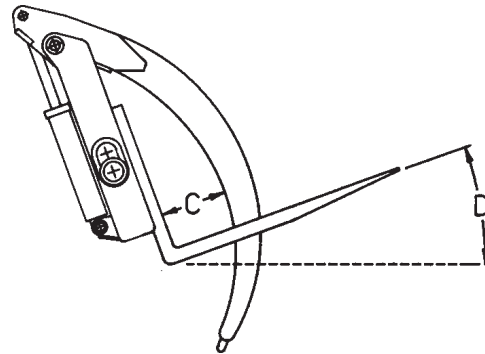
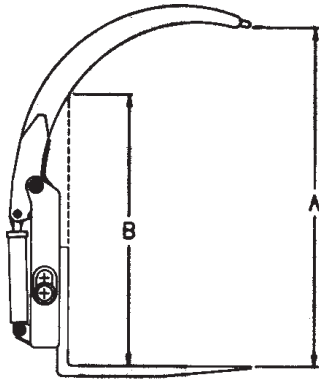
[Click here to identify your machine category.](#)

Machine Category	10	20	30	40	50
Tine Size	2x6x48" 51x152x1219	2.25x6x48" 57x152x1219	2.75x7x48" 70x178x1219	3x7x48" 76x178x1219	3.5x8x60" 89x203x1524
A. Clamp Opening @ Tip	88" 2235	88" 2235	88" 2235	98" 2489	100" 2540
B. Height of Load Area LF-1, LF-W	73" 1854	73" 1854	73" 1854	84" 2134	85" 2159
C. Clamp Closure	12" 305	12.5" 318	12.5" 318	12.5" 318	12.5" 318
D. Min. Rollback @ Ground	20°	20°	20°	20°	20°
Overall Width	72" 1829	72" 1829	72" 1829	72" 1829	72" 1829
Max. Width Over Tines	68" 1727	67.5" 1715	67.5" 1715	67.5" 1715	66.5" 1689
Min. Width Over Tines	36" 914	36" 914	36" 914	36" 914	36" 914
Weight: LF lbs	1470 667	1545 701	2125 964	2565 1163	3430 1556
LF-1 lbs	2210 1002	2345 1164	3070 1393	3610 1637	4720 2141
LF-W lbs	2415 1095	2625 1191	3135 1422	3790 1719	4965 2252

(mm/kg)

90" Wide Backframe Optional

Specifications subject to change without notice.



MOUNTING INFORMATION

All Rockland LF Log Forks and Grapples mount in place of the standard bucket using factory pins or specified coupler brackets. Grapples equipped with clamps come complete with all necessary piping and hydraulics, including jumper hoses which connect to the loader's lift arm piping. A three-spool valve and lift arm piping must be installed on the loader to complete the installation.

WARRANTY

Rockland LF Log Forks and Grapples are guaranteed against failure due to defective design, workmanship, or materials for a period of one year or 2,000 hours.



Distributed by:

ROCKLAND MANUFACTURING CO.
P O BOX 5
BEDFORD, PA 15522
www.rocklandmfg.com