



PIPE FORKS AND GRAPPLES

HANDLE PIPE EFFICIENTLY

A MODEL FOR EVERY APPLICATION

Rockland Pipe Forks and Grapples were designed specifically for handling pipe with a wheel loader.

PF—The model PF Pipe Fork is ideal for handling large diameter short pipe when load stabilizers are not required.

PG-1—This pipe grapple was designed with a single center stabilizer to keep grapple weight and cost to a minimum. If you need to handle small or medium size pipe, then this is the pipe grapple for you.

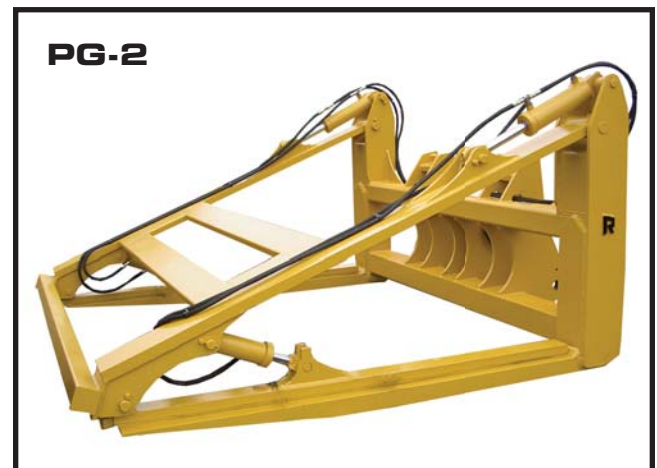
PG-2—This unit has dual linked stabilizers for maximum load control. Independent stabilizers are an available option. This pipe grapple is recommended for rough terrain, or when handling long lengths of pipe.

The PG-1 and PG-2 feature rugged stabilizer beams that pivot on wide bushings and heat treated pins. The hydraulically operated load stabilizer beams provide a steady, even force over the entire load. Rubber coating is installed on the stabilizer beams.

The hydraulics on the PG-1 and PG-2 are first class. Heavy-duty, high-pressure cylinders with chrome plated, induction-hardened, alloy steel rods are connected to 5,000 PSI hoses and fittings for years of dependable service.

All three models are designed for productivity. Each tine is made from a solid section of heat treated, high-strength, alloy steel. The frame and attaching brackets are made of high-strength alloy steels to keep grapple weight to a minimum. Load centers are kept as close as possible to the boom pivot pins for maximum machine stability and larger loads every pass.

Rockland has been building pipe forks and grapples for over twenty-five years. Put our experience and reputation for quality to work at your pipeyard.



PIPE GRAPPLES

PG-1 PG-2 SPECIFICATIONS

Machine Category	20	30	40	50	60	70
Width Over Tines	94" 2388	106" 2692	106" 2692	106" 2692	118" 2997	118" 2997
Overall Width	96" 2438	108" 2743	108" 2743	108" 2743	120" 3048	120" 3048
Tine Size	2.5 x 6 x 60" 64 x 152 x 1524	2.5 x 7 x 72" 64 x 178 x 1829	3 x 7 x 72" 76 x 178 x 1829	3 x 8 x 72" 76 x 203 x 1829	3.5 x 8 x 96" 89 x 203 x 2438	4 x 10 x 96" 102 x 254 x 2438
PG-1 lbs.	2900 1315	3045 1381	3600 1633	3840 1742	5725 2597	6950 3153
PG-2 lbs.	3425 1554	4025 1825	4600 2087	4900 2222	7075 3209	8200 3719

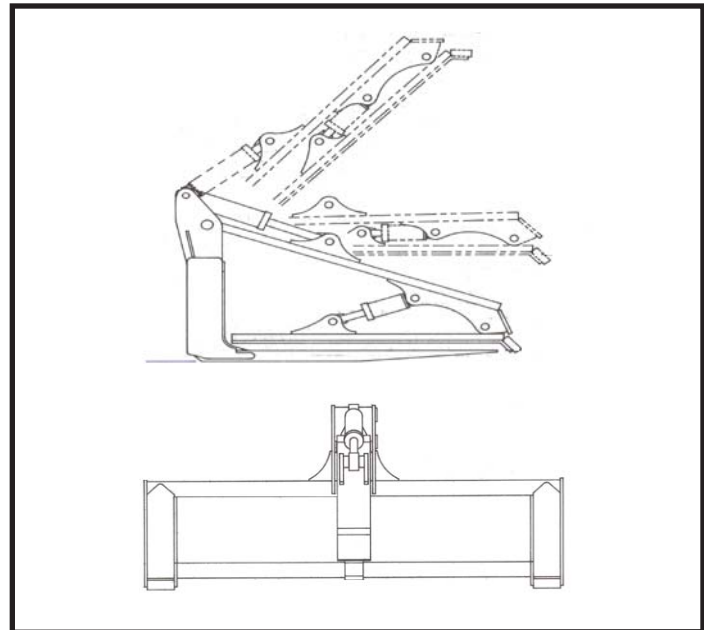
(mm/kg)

Specifications subject to change without notice.

PIPE FORKS

PF SPECIFICATIONS

Category	Tine Size	Frame Width	Weight (lbs)
5	2" x 6" x 48"	72"	1250
	2" x 6" x 60"	72"	1320
10	2" x 6" x 48"	72"	1300
	2" x 6" x 60"	72"	1380
	2" x 6" x 48"	84"	1350
	2" x 6" x 60"	84"	1400
20	2.25" x 6" x 48"	72"	1420
	2.25" x 6" x 60"	72"	1670
	2.5" x 6" x 72"	72"	1710
	2.25" x 6" x 48"	84"	1475
	2.25" x 6" x 60"	84"	1825
	2.5" x 6" x 72"	84"	1865
30	2.5" x 7" x 48"	72"	1825
	2.75" x 7" x 60"	72"	1950
	2.75" x 7" x 72"	72"	2175
	2.5" x 7" x 48"	84"	1925
	2.75" x 7" x 60"	84"	2050
	2.75" x 7" x 72"	84"	2275
	3" x 7" x 96"	84"	2475
	3" x 7" x 96"	102"	2675
40	2.75" x 7" x 60"	72"	2400
	2.75" x 7" x 72"	72"	2900
	2.75" x 7" x 60"	84"	2525
	2.75" x 7" x 72"	84"	3025
	3" x 7" x 96"	84"	3525
	3" x 7" x 96"	102"	3725
50	3" x 7" x 60"	72"	2095
	3" x 7" x 60"	84"	3165
	3" x 7" x 72"	84"	3265
	3.5" x 8" x 96"	102"	3945
60	3.5" x 8" x 72"	96"	4600
	3.5" x 8" x 84"	96"	4800
	3.5" x 8" x 96"	96"	5000



MOUNTING INFORMATION

Pipe Forks and Grapples mount in place of the standard bucket using factory pins or specified coupler brackets. Jumper hoses and hydraulic cylinders are supplied with PG-1 and PG-2 Pipe Grapples. A three-spool valve and boom arm piping are required on the machine to complete the installation of the PG-1 and PG-2.

WARRANTY

Rockland Pipe Forks and Grapples are guaranteed against failure due to defective design, workmanship, or materials for a period of one year or 2,000 hours.



Distributed by:

ROCKLAND MANUFACTURING CO.
 P O BOX 5
 BEDFORD, PA 15522
www.rocklandmfg.com